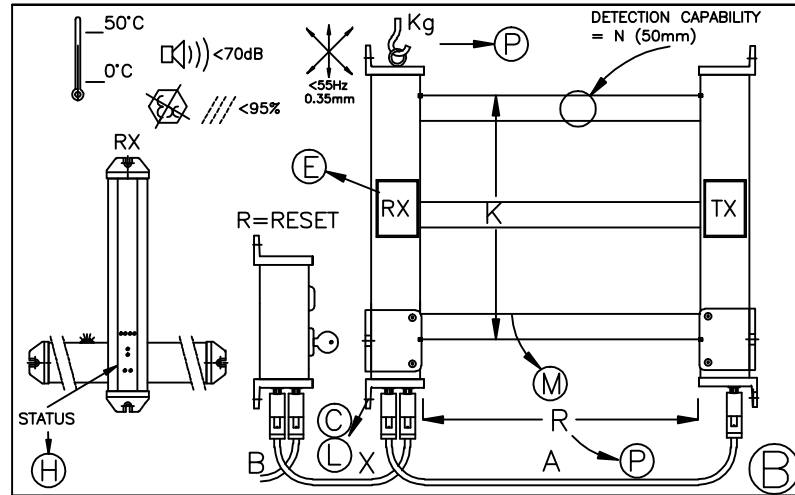
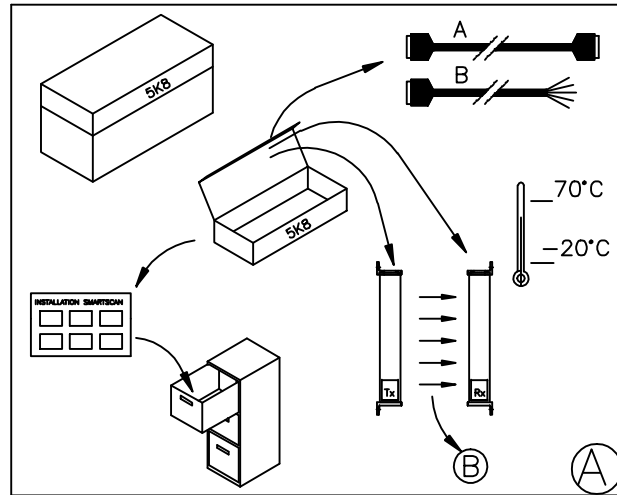
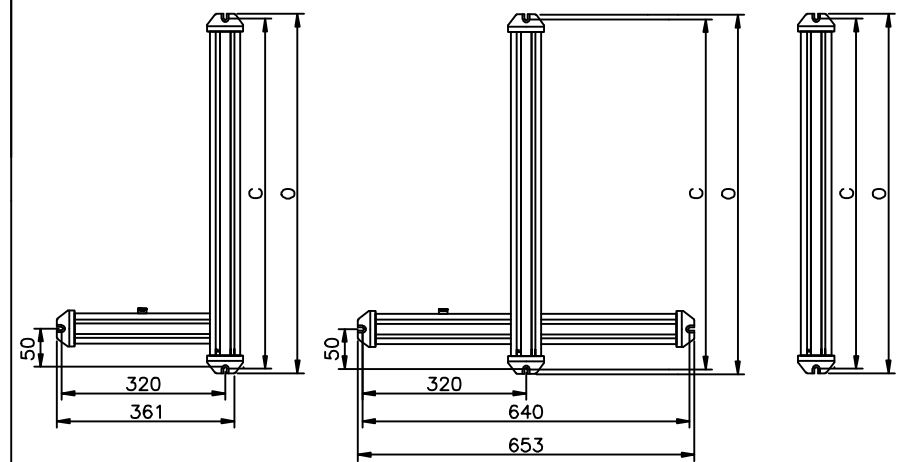


INSTALLATION 5K8 SAFETY LIGHT CURTAIN

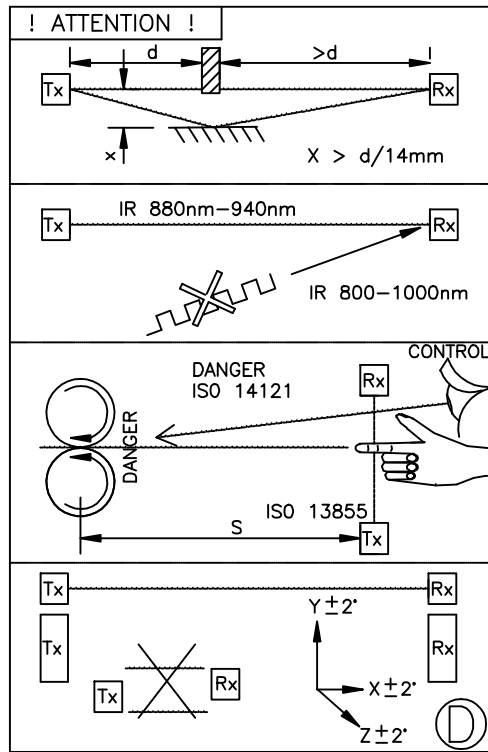
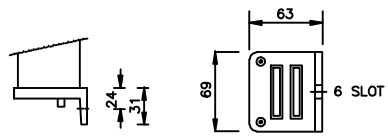
CD339/210610



LIGHT CURTAIN



Beams	C	O
2	580	594
3	955	969
4	1260	1274



SMARTSCAN

MODEL: 5K8-*****

SN:63001 T:40mS
R:***** V:24V DC
I:1A
N:50mm EN954-1 Category 3
K:***** IEC61496-2 Type 2
IP:54 EN62061 SIL 2
YEAR:2009 EN ISO13849 PL d

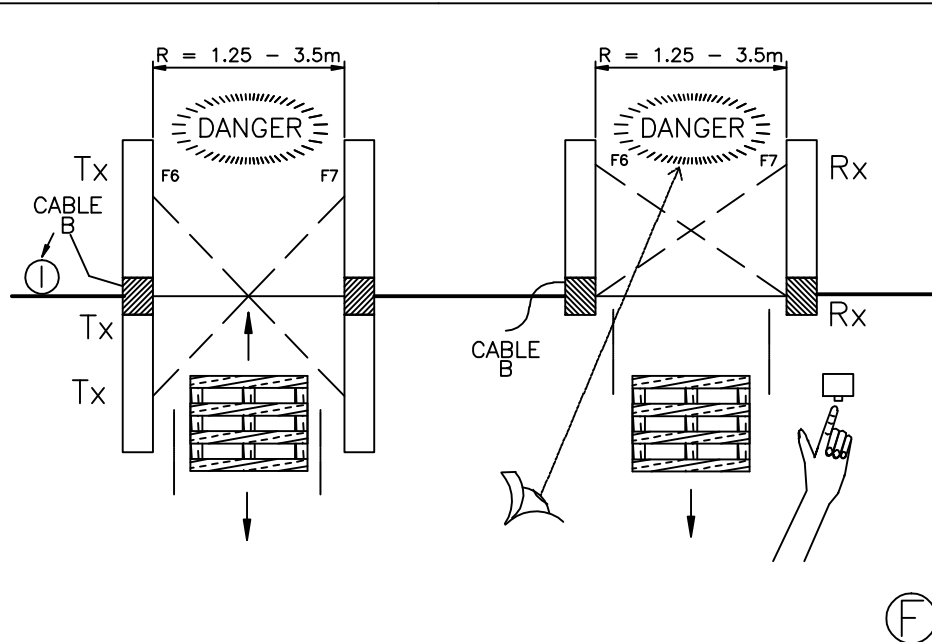
RX

SMARTSCAN

MODEL: 5K8-*****

SN:63001 T:40mS
R:***** V:24V DC
I:1A
N:50mm EN954-1 Category 3
K:***** IEC61496-2 Type 2
IP:54 EN62061 SIL 2
YEAR:2009 EN ISO13849 PL d

TX



FEATURE	ON	OFF	RATING	
F1	CLOSE	OPEN	110V 2A	* SAFETY OUTPUTS
F2	CLOSE	OPEN	110V 1A	** STATUS OUTPUT
F4				MONITORING OUTPUT
F5			10mA	MONITORING INPUT
F6			10mA	MUTE 1
F7			10mA	MUTE 2
F8			1A	** MUTE OUTPUT
F10			10mA	MUTE ENABLE
F11			10mA	OVERRIDE
F13			10mA	ACTIVATE
F14	GREEN			INDICATOR LIGHT CURTAIN CLEAR
F15	YELLOW			INDICATOR MUTE 1 CLEAR
F16	YELLOW			INDICATOR MUTE 2 CLEAR
F17	RED			INDICATOR LIGHT CURTAIN BLOCKED
F18	GREEN	F1		INDICATOR SAFETY ON
F19	RED	F2		INDICATOR SAFETY OFF
F20	YELLOW	F3		INDICATOR STATUS RELAY OFF
F21	YELLOW	F4		INDICATOR MUTE ON
F22	RED			INDICATOR TRANSMITTER OK
F23	RED			INDICATOR ACTIVATE
F24	RED			INDICATOR EDM
F25	RED			INDICATOR MUTE ENABLE

*ELESTA SGR 2827 **BT 47W/7

