



MACHINERY SAFETY SYSTEMS

**8K3 SERIES
CROSS-BEAM MUTING
ACCESSORIES**

INSTALLATION GUIDE

Smartsan Ltd
Pywell Road
Willowbrook Industrial Estate
Corby
Northamptonshire
NN17 5XJ - England

Tel. +44 (0)1536 – 401 313
sales@smartsan.co.uk
www.smartsan.co.uk

Important!

Failure to read and follow the instructions provided on the Installation Sheet and Installation Guide can lead to the incorrect application or use of the 8K3 series mute accessories. This could lead to personal injury and damage to equipment. The 8K3 series safety light curtain Installation Sheet and Installation Guide must be used in conjunction with the 8K3 series mute accessories Installation Sheet and Installation Guide. All applicable machine safety standards and regulations should be taken into account when installing the 8K3 series mute accessories or any machine safety product.

The Installation Sheet and Installation Guide can be downloaded from our web site at www.smartsan.co.uk

The 8K3 series mute accessories Installation Guide (CD693) is subject to change without notice. Smartsan Ltd shall not be held responsible for technical errors, editorial errors or omissions contained herein, nor for incidental or consequential damages resulting from the use of this material.

© 2019 Smartsan Ltd. All Rights Reserved. Unless explicitly stated otherwise, all rights including those in copyright in the content of this document are owned by or controlled for these purposes by Smartsan Ltd.

Except as otherwise expressly permitted under copyright law or Smartsan Ltd, reproduction of the document or alteration of this document may not be carried out in any way without first obtaining Smartsan Ltd's written permission.

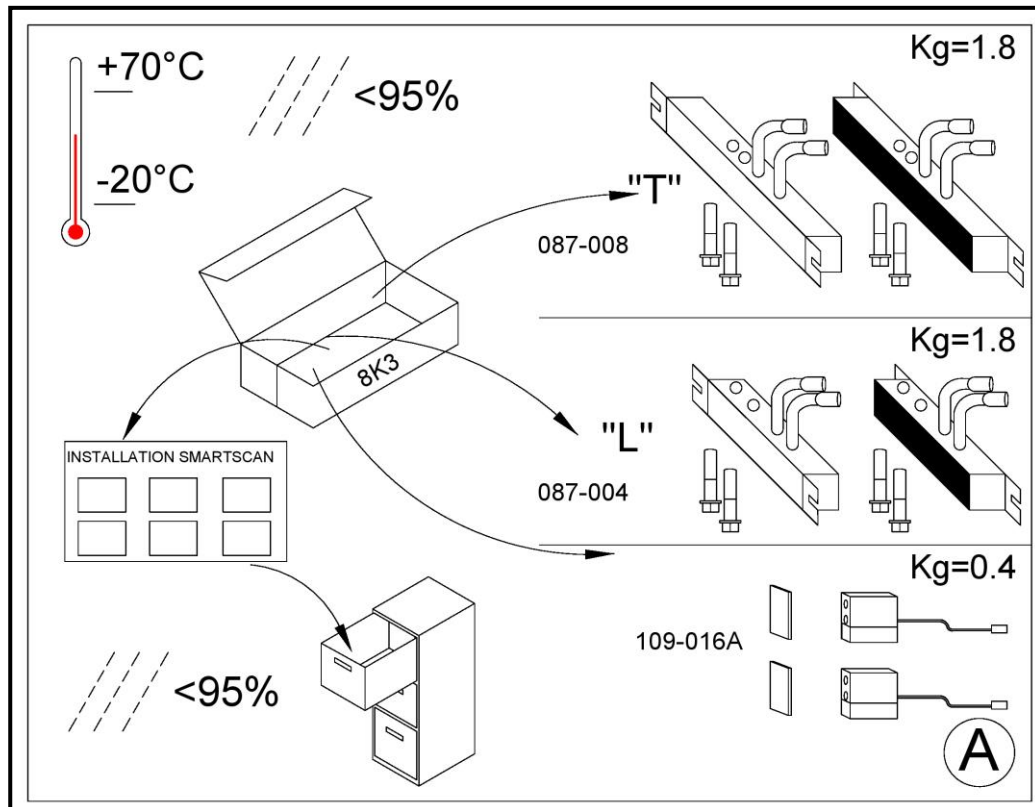
CONTENTS

FIGURE A - UNPACKING	1
FIGURE B – DIMENSIONAL INFORMATION	2
FIGURE C – MUTING MODULE MECHANICAL CONNECTION.....	3
FIGURE D – RETRO-REFLECTIVE PHOTOCCELL CONNECTION	4
FIGURE E – MUTE MODULES SHOWING MUTE BEAM ARRANGEMENTS	5
MUTE ENABLE INPUT.....	6
FIGURE F – PALLET LOAD POSITIONING.....	7
FIGURE G – OPERATING REQUIREMENTS	8
ACTIVATE SWITCH ELECTRICAL CONNECTION	9
FIGURE H – MUTING TIMER SEQUENCE	10
CROSS-BEAM CONTROL TIMERS	10
FIGURE I – IDENTIFICATION LABELS	11
FIGURE J – TEST AND MAINTENANCE	12
TESTING THE MUTE ACCESSORIES WITH A TEST PIECE	12
MAINTENANCE	13
FIGURE K – OPERATION CYCLE.....	14
FIGURE L – PRODUCT RETURN PROCEDURE.....	15
FIGURE M – DECLARATION OF CONFORMITY	16
FIGURE N – GLOSSARY OF WORDS AND LANGUAGE TRANSLATION.....	17
APPENDIX 1 – IMPORTANT SAFETY WARNING INFORMATION	18
APPENDIX 2 - CERTIFICATIONS.....	19
NOTES	20

8K3 Series (Model No. 087-xxxx) Mute Accessories Installation Sheet (CD692/150120)

Figure A - Unpacking

- ❑ Remove all packaging material and retain it
- ❑ Locate and keep the delivery note
- ❑ Inspect all items for transit damage
- ❑ Match goods supplied to those specified on the delivery note
- ❑ Keep the Installation Sheet in a safe place



Each 8K3 series mute accessory kit supplied would normally include:

- ❑ Pair of 'L' or 'T' muting modules with fixing bolts or polarised retro-reflective sensors with cables and connectors affixed, together with mounting brackets.
- ❑ Installation sheet
- ❑ Service questionnaire form

Storage requirements:

- ❑ Humidity - <95%
- ❑ Temperature range between -20°C and $+70^{\circ}\text{C}$

Figure B – Dimensional Information

The 8K3 Series T and L cross-beam muting modules have the same cross section as the light curtain, 50 x 50mm.

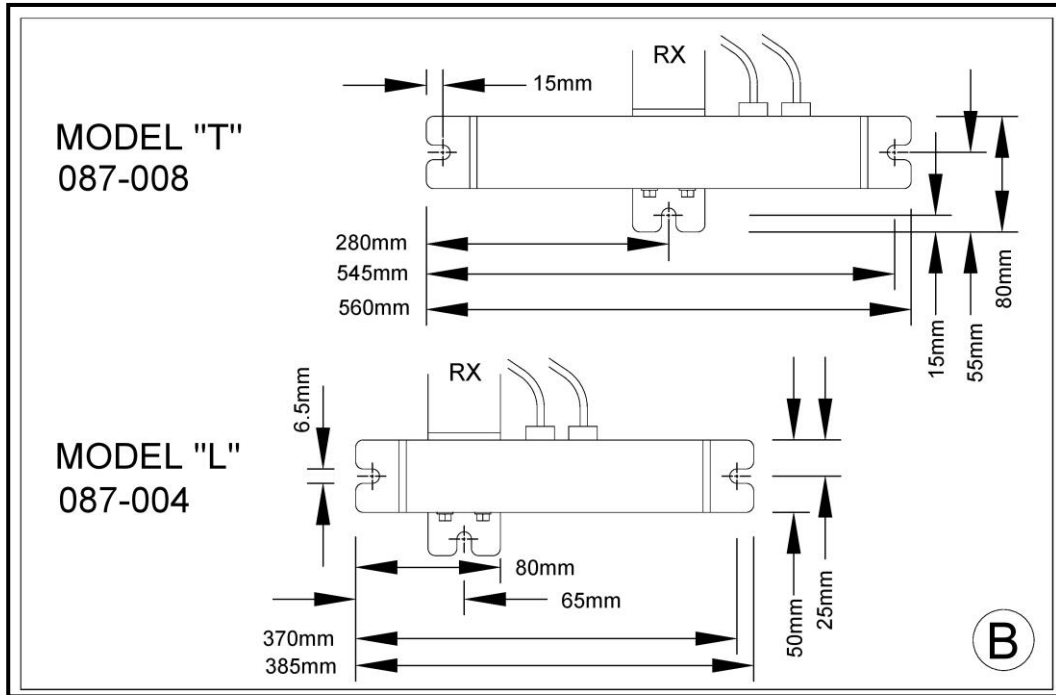
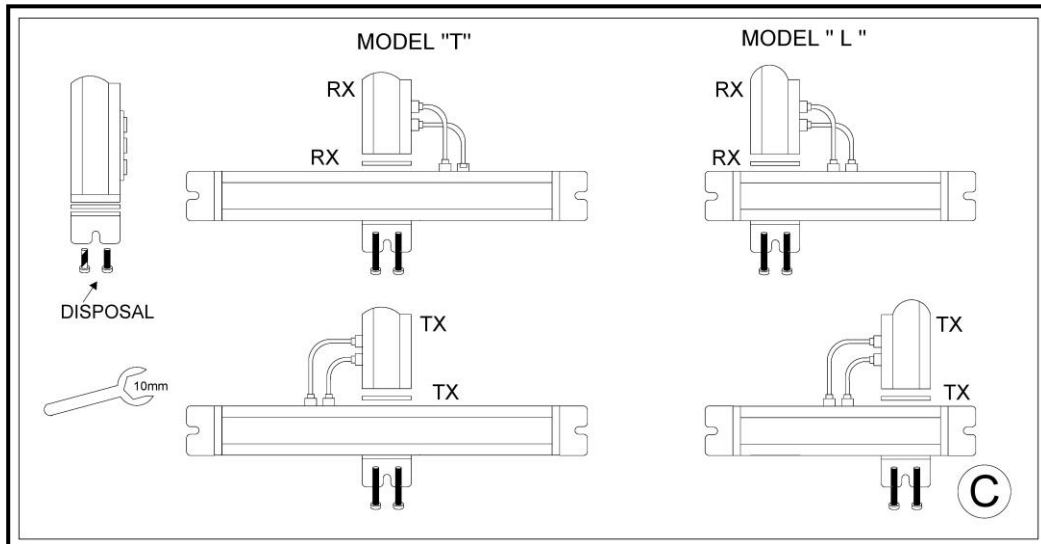


Figure C – Muting Module Mechanical Connection

Fixing 'L' or 'T' cross-beam mute modules to the safety light curtain columns is very easy. Undo the fixing bolts and remove the end-cap fixing bracket and rubber seal from both the transmitter (Tx) and receiver (Rx) columns.

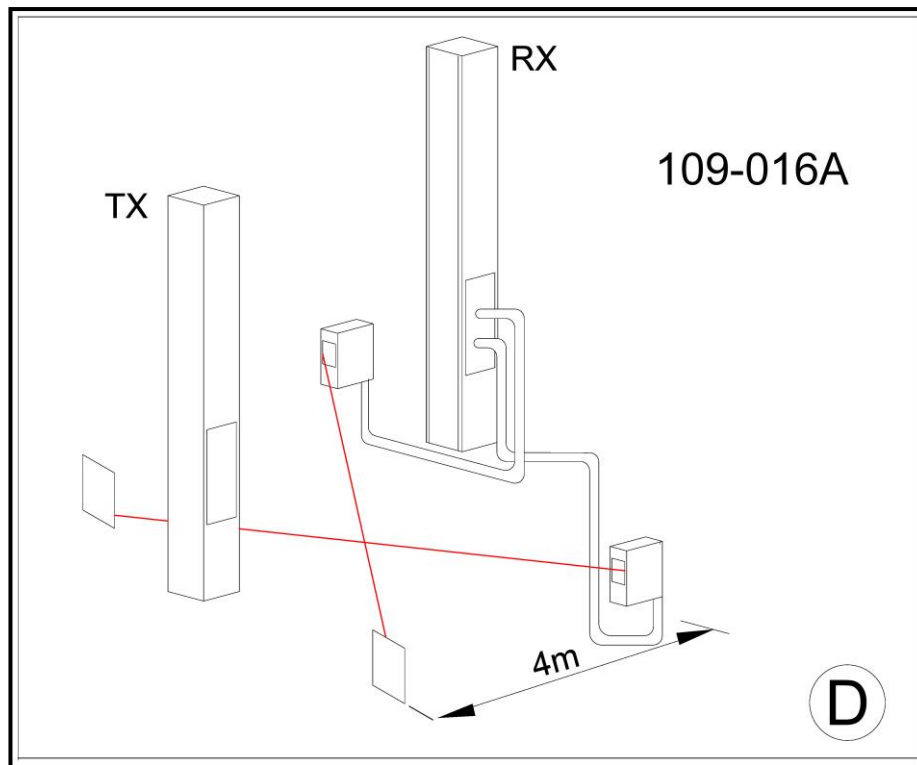


Fit the appropriate 'L' or 'T' module to the base of each column using the longer bolts that are supplied with the units. Tighten the bolts enough to ensure waterproof sealing between the aluminium housings. If an additional guard mounting point is required the bottom end cap bracket can be re-fitted underneath the mute module housing.

Red LED's in the receiver Rx mute module are illuminated to show the mute beams are active.

On the Receiver (Rx) the two mute inputs are situated below the B (User) cable connection and the A (interconnect) cable connection. On the Transmitter (Tx) head the mute inputs are situated below the A (interconnect) cable connection.

Plug in the two cables from the Mute modules to the light curtain column as shown above. Note the Rx Mute module cables must be crossed when using the inverted 'T' shape cross-beam muting or the 'L' shape cross-beam muting. The cables are connected so they are parallel when using the parallel beam muting (timing control).

Figure D – Retro-Reflective Photocell Connection

The picture shows options for configuring the 8K3 series safety light curtain in applications using non-integrated mute sensors.

There are particular applications where the standard mute modules are not suitable for example, where there is a limitation in the space available for mounting the modules. In such cases external sensors that allow more flexibility are often used.

Polarised retro-reflective sensor - Type 109-016A, Maximum range = 4m

The sensor transceiver comes complete with polarised reflector, a 1.5m cable, mounting brackets and a 4 pin bayonet locking connector for direct connection to the mute input sockets, M1 and M2, on the Receiver (Rx) head of the 8K3 series safety light curtain.

The sensors can be used in the cross-beam configuration.

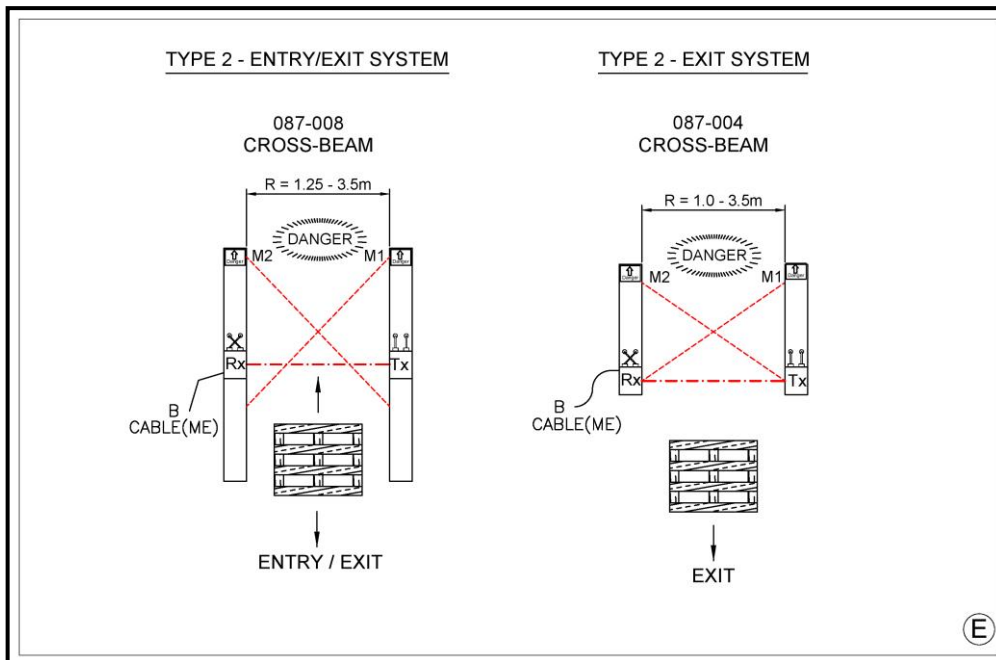
Figure E – Mute Modules Showing Mute Beam Arrangements

Figure E shows the cross-beam muting for entry/exit and exit only applications.

The Receiver head which has the status indication LEDs and the B (User) cable connection back to the machine control panel/local junction box is located to the left side of the conveyor when looking towards the danger area. The Receiver head has the status LED indicators which are useful during installation, for status checking during normal operation and diagnostics for fault finding.

Entry and Entry/Exit 'T'

087- 008 (Type 2)

Inverted 'T' shape cross-beam muting at in-feed zones or in situations where a pallet load may need to pass along the conveyor in both directions through the safety light curtain.

This system is normally used at the infeed to a machine. The horizontal mute modules house the muting beams transmitting diagonally across to the receiver side forming a cross-beam muting arrangement.

The system works by the pallet load moving into the two mute beams and interrupting them. The two mute beams are monitored with a disparity timer of 2.5 seconds.

The cross-beam entry system has a no time delay-off as default. Therefore, if one of the mute beams is remade or the load is out of the cross-beam mutes the safety light curtain will unmute at once.

The entry/exit inverted 'T' mute beams have a scanning range of 1.25m to 3.5m.

Position the unit to ensure a pallet load does not stop in the safety light curtain beams after clearing the mute beams.

Exit only 'L'

087- 004 (Type 2)

The 'L' shape cross-beam muting is only for use at outfeed zones. You will note that the mute beams are arranged on one side of the 8K3 safety light curtain. The pallet load is always travelling in one direction, out from the danger area and through the safety light curtain to the safe area.

The system works by the pallet load moving into the two mute beams and interrupting them within the monitored mute disparity time of 2.5 seconds.

There is a short period of time when the trailing edge of a pallet load 'clears' the detection field of both mute sensors but is still interrupting the light curtain beams. A timer is incorporated within the safety control system that allows a period of 2.5 seconds between the pallet load 'clearing' the mute sensors and 'clearing' the light curtain beams. If the 2.5 second period is exceeded the safety system will trip.

Note for this exit system the MODE wire (Black/White) needs to be linked to +24V DC in order for the 2.5 second mute delay-off timer to be active.

The exit only 'L' mute beams have a scanning range of 1m to 3.5m

Position the unit to ensure a pallet load does not stop in the safety light curtain beams after clearing the mute beams.

Warning: The 'L' shape mute module must *NOT* be used at in-feed zones, (out-feed only).

Mute Enable Input

The 'mute enable' signal is a control system requirement for both entry/exit and exit only cross-beam muting applications. This third signal is typically taken from the conveyor transport system (conveyor run). This signal acts as a permissive signal to the mute beam logic.

Inclusion of the signal indicates to the safety control that the conveyor is transferring products towards the detection field of the safety light curtain, thus instructing the controller to initiate the MUTE logic condition during a pallet transfer through the safety light curtain.

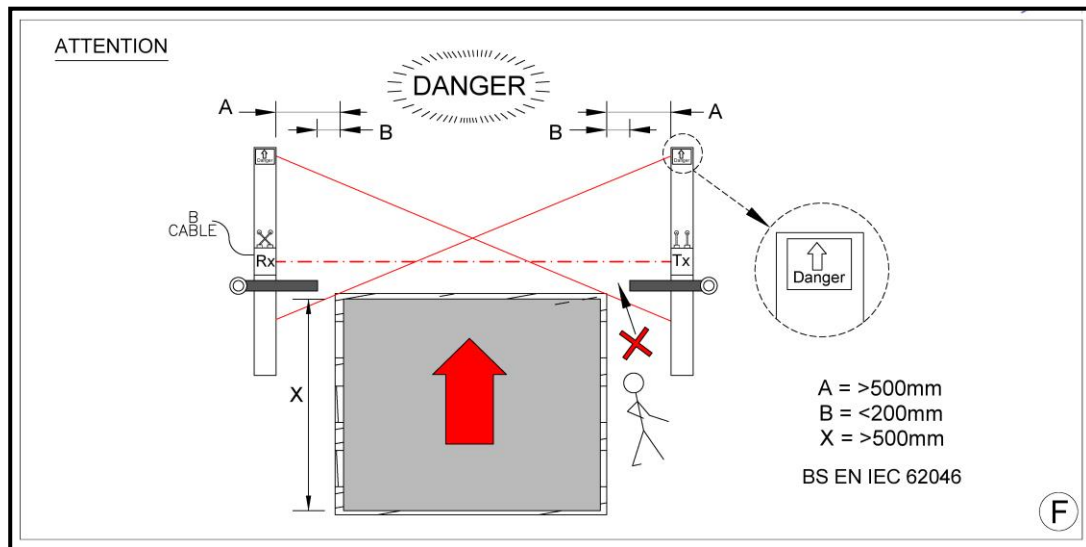
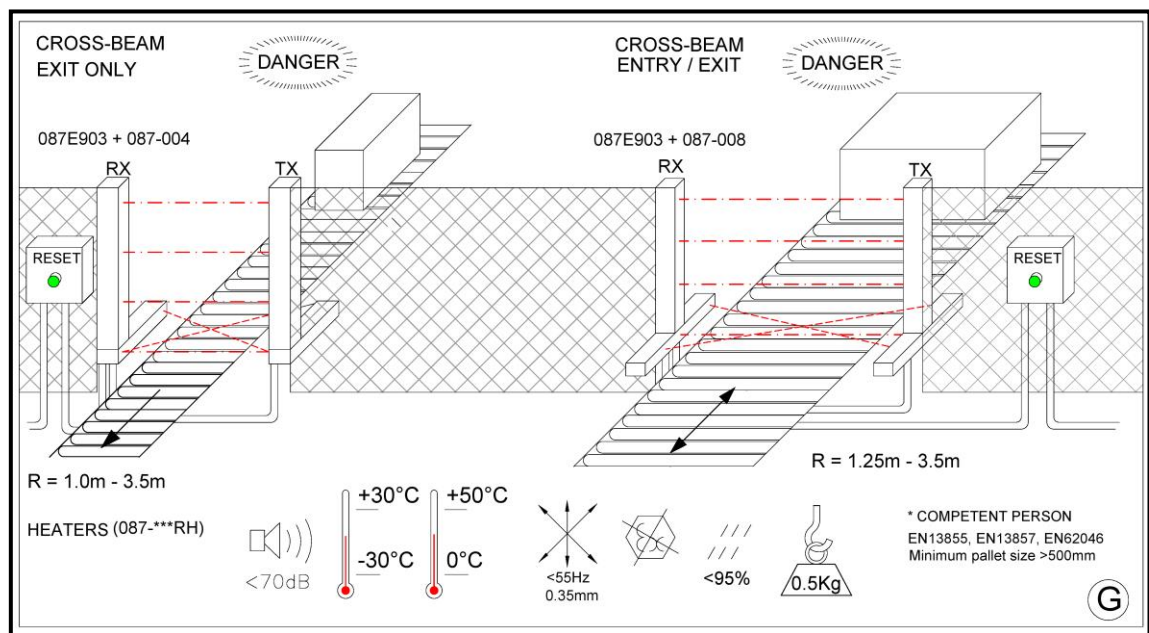
Figure F – Pallet Load Positioning

Figure F shows pallet load positioning on the conveyor relative to the transmitter and receiver heads (note distances for A and B)

Ensure that the pallet when entering and exiting the self-muting safety light curtain system is central on the conveyor. The distance for A and B to avoid 'trapping' or 'crushing' hazards and preventing entry during the muted condition should all be considered in-line with the guidance within BS EN IEC 62046:2018.

X shows the minimum pallet load size, 500mm in length.

Figure G – Operating requirements

- ❑ Humidity <math>< 95\%</math>
- ❑ Temperature range between 0°C and $+50^{\circ}\text{C}$ or -30°C and $+30^{\circ}\text{C}$
- ❑ Vibration: Frequency <math>< 55\text{Hz}</math> Max. Movement <math>< 0.35\text{mm}</math>
- ❑ Do not use equipment in explosive atmospheres (contact the manufacturer for further advice).
- ❑ Noise generated by the equipment will never exceed 70 dB

Environmental factors can affect the operation of a safety light curtain and proper consideration should be taken into account for mounting a system where fog, rain, smoke, dust, large temperature fluctuations etc. is a consideration.

Safety light curtains do not protect personnel from chemicals, heat, gases, radiation, flying parts etc. as they are not a physical barrier.

The owner/provider must carry out a Risk Assessment and provide machine operators instruction for the use of the safety light curtain on the machinery.

The 8K3 series safety light curtain can be configured with either the 'L' type (exit only or a 'T' type (entry / exit) system.

The 'L' muting module configuration shown above is for out-feed zones ONLY. It operates in a cross-beam muting beam configuration, the distance between the Transmitter (TX) and Receiver (RX) should not exceed 3.5 metres.

The inverted 'T' shape muting module configuration shown above is for infeed and infeed/outfeed positions. It operates in a cross-beam muting beam configuration, the distance between the Transmitter (TX) and Receiver (RX) should not exceed 3.5 metres.

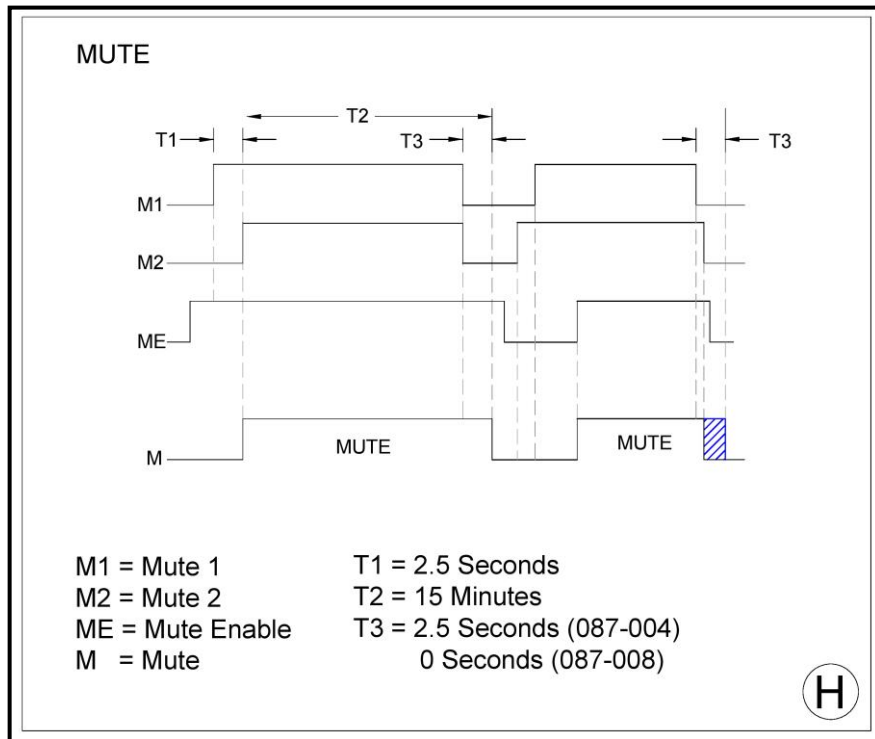
Heater options are available for application environments like cold stores.

Reset devices must be located such that the danger area can be seen to be clear of persons before the system is activated. The reset device should also be positioned so as not to be accessible from inside the danger area.

Activate Switch Electrical Connection

Activate switch - (F7). Connect the red/white wire in cable B to a normally open switch contact. Connect the other side of the switch contact to +24V DC. The switch could either be a spring return to off key switch or push button.

Mode - (F8) Connect the black/white wire in cable B to 0V DC, or for exit only system where the mute delay-off timer is required to +24V DC.

Figure H – Muting Timer Sequence

The timer diagram above shows the mute timer sequence for the 'L' shape Exit only cross-beam muting system, with and without the mute off delay time and the inverted 'T' shape Entry/Exit (bi-directional) cross-beam muting system.

Cross-beam Control Timers

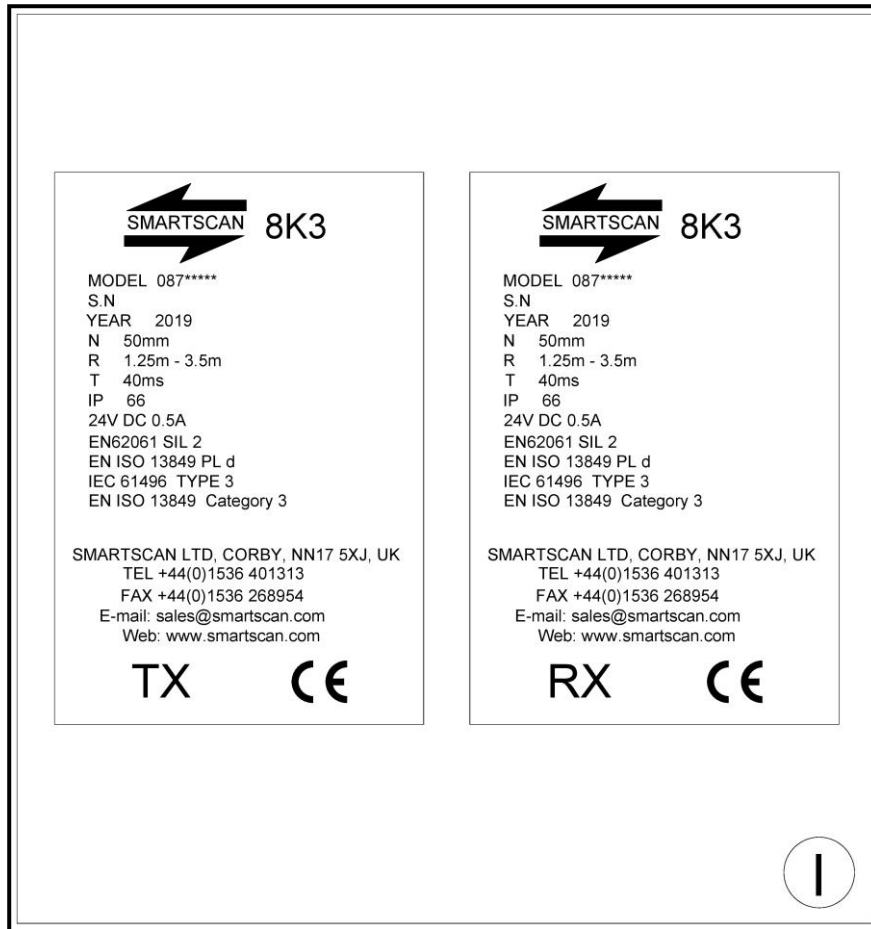
T1 (Mute 1 and Mute 2 Disparity Time) = Maximum time allowed between activation of signals mute 1 (M1) and mute 2 (M2) prior to the pallet load entering the safety light curtain.

T2 (Mute Time Out Period) = A maximum pre-determined time the safety light curtain will remain in a muted condition. Following this timed period, if the pallet load is still interrupting the mute beams or the safety light curtain beams the OSSDs will de-energise thus initiating a stop condition. Providing the pallet clears the safety light curtain before the maximum time T2 is exceeded then the automatic transfer of the pallet will continue.

T3 (Mute Off Delay Time) = This function can be used for the 'L' shape Exit system only and **MUST NOT** be used for the inverted 'T' Entry/Exit system. A predetermined time that the safety light curtain will remain in a muted condition following de-activation of one or both of the mute signals.

Software version example

The standard 8K3 Series is supplied with 'E' version software, for example 087E903. This provides the following functions for cross-beam muting timers, T1 = 2.5 Sec T2 = 15 min T3 = 2.5 Sec.

Figure I – Identification Labels

Examples are shown below of the identification labels that are affixed to the bottom of the transmitter (TX) and receiver (RX) columns.

Figure J – Test and Maintenance

Testing the mute accessories with a test piece

The test procedure should be carried out frequently as indicated by the risk assessment for the particular installation.

A test must be carried out at the initial installation and prior to the machine start-up.

Smartsan Ltd recommends the test should be carried out daily prior to normal operation of the machine.

Any changes to the configuration of the safety light curtain must be followed by testing to check the system is still working correctly.

Regular function checking of the safety light curtain as well as at initial installation is required as part of the test and maintenance process.

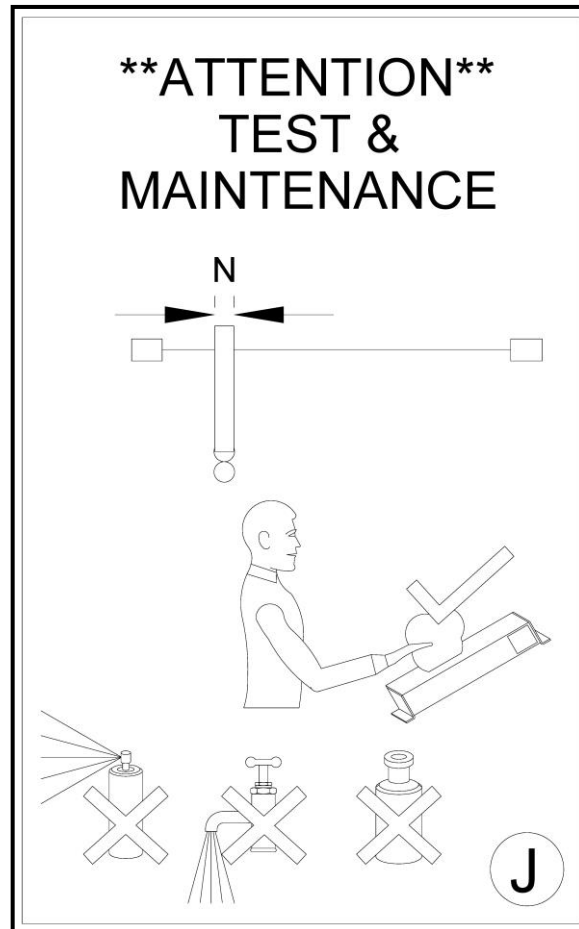
The operating instructions for the safety light curtain and machine must be made available for the operator and those responsible for installation, maintenance and safety control at all times.

Power-up the 8K3 series safety light curtain and activate the output switching circuits to an ON condition.

Power-up the 8K3 series safety light curtain and activate the output switching circuits to an ON condition.

Cross-Beam

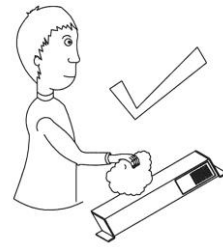
Insert a test piece of appropriate size into the detection zone of one of the mute sensors. After 2.5 seconds the safety outputs will turn OFF. Repeat this operation for the second mute sensor, again the outputs should turn OFF within 2.5 seconds.



Maintenance

The Transmitter (TX) and Receiver (Rx) windows should be cleaned regularly as indicated on the Installation Sheet, Figure K.

Dirt build-up or scratching on the windows may lead to intermittent tripping or a totally blocked condition of the light curtain. Clear adhesive tape may be applied to the windows of curtains in dirty or abrasive conditions. Renew the clear adhesive tape periodically.



Dust particles can be attracted to the Perspex window due to static charges. This can be prevented by the use of an antistatic plastic cleaner and antistatic cloth.

Clean the windows with a clean damp cloth using a mild detergent. Never use abrasive, corrosive cleaners or spray detergents.



During the maintenance inspection of the safety device and the danger area checks include, damage and general wear, connection cables and the electrical connections.

Check the mountings and physical extrusion, Perspex.

Access to the danger point should be through the infrared field of the safety light curtain only.

See also the Operation Cycle checks within this document.

Figure K – Operation Cycle

- ❑ Before installation read and understand the Installation Sheet provided paying particular attention to the information provided in Figures C, E and I
- ❑ Refer to Fig. J for test and maintenance procedures
- ❑ Every 24 hours carry out tests as indicated in Fig. J
- ❑ Every 6 months check the entire installation including those on the installation sheet for the safety light curtain.
- ❑ If the equipment fails to operate as intended check through the entire installation sheet.

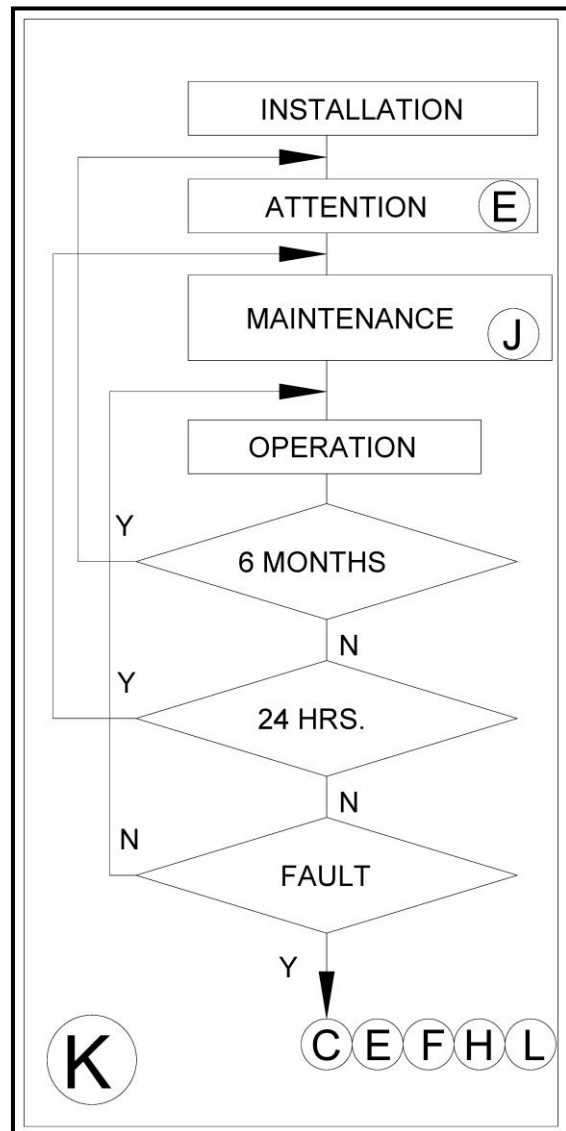
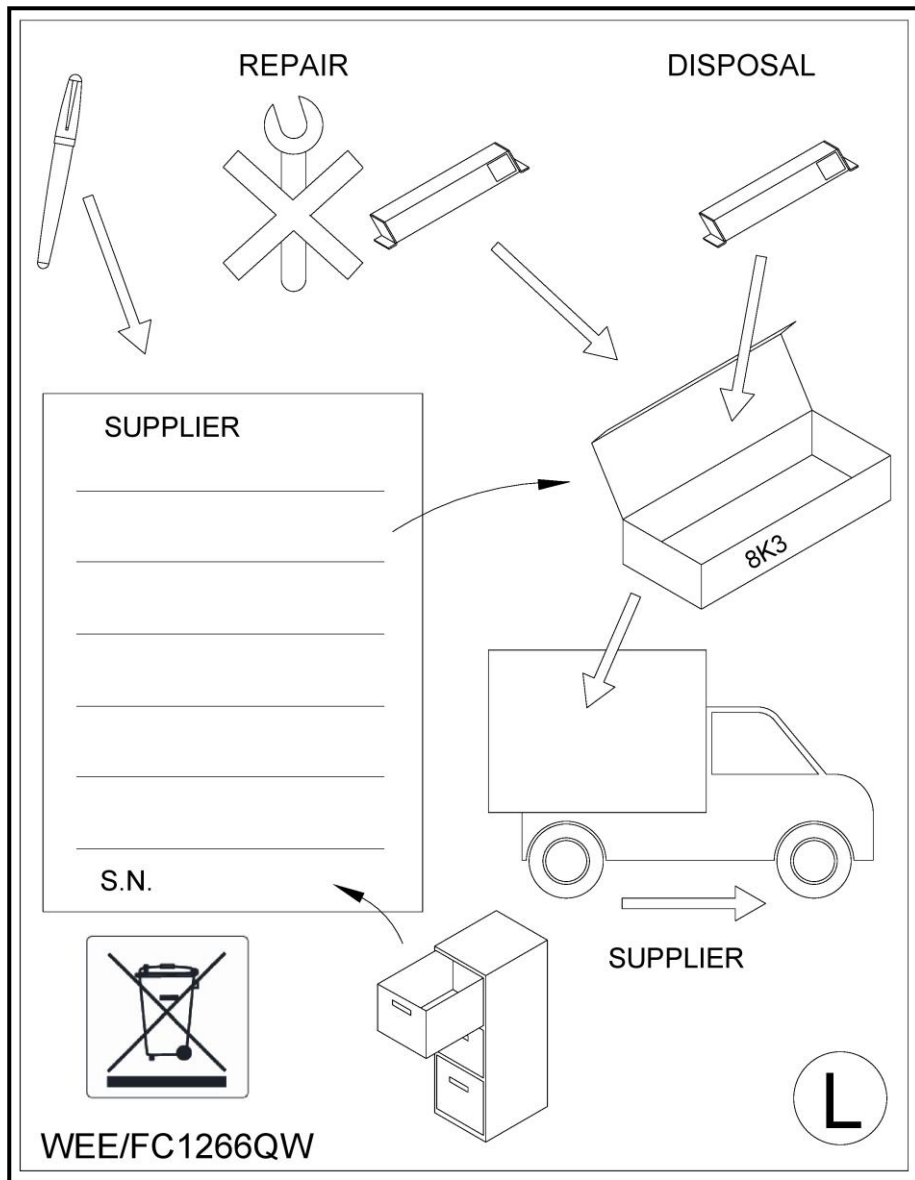


Figure L – Product Return Procedure



If a fault occurs that cannot be resolved or the equipment is damaged return the equipment to the nearest Smartsan distributor or Smartsan Ltd. Indicate the nature of the fault and the symptoms displayed on the form provided.

Note Please ensure that returned guards (Transmitter and Receiver heads) are matching serial number pairs.

Figure M – Declaration of Conformity




	CD653M/231219
EC Declaration of Conformity	
Product: Smartscan 8K3 cross-beam mute accessories	
Model: 087-003, 087-004, 087-007, and 087-008.	
Smartscan Limited, Pywell Road, Willowbrook Industrial Estate, Corby, Northamptonshire, NN17 5XJ	
Declares that the safety components(s) described: Serial Numbers: Between 440 000 and 479 999	
Fulfils the following safety function: Electro-sensitive protective equipment – Active Opto-electronic Protective Device (safety light curtain).	
Conforms to the following Directives:	
Machinery Directive	2006/42/EC
Electromagnetic Conformity Directive	2014/30/EU
Low Voltage Directive	2014/35/EU
Complies with the relevant requirements of the following Standards:	
EN 61496-1, EN 61496-2	Type 3
EN ISO 13849-1	Category 3
EN IEC 62061	SIL 2
EN ISO 13849-1	PL d
Uses the following standards:	
EN ISO 12100, EN 60204-1, EN 415-4, EN 62046	
Complies with the examples to which the EC type examination certificate below relates, and is in conformity with the protection requirements of Council Directive 2014/30/EU, as amended, on the approximation of the laws of the Member States relating to electromagnetic compatibility.	
The component is of a type listed in Annex IV of the Machinery Directive. Examples have been submitted for type examination by the approved body identified below.	
Safenet Limited	Notified Body Number 1674
Address	Denford Garage, Denford, Kettering, Northamptonshire, NN14 4EQ.
Certificate No.	8327171219
Signed: 	Date: 23. 12. 2019
Title: <u>TECHNICAL DIRECTOR</u>	
	

Figure N – Glossary of Words and Language Translation

GLOSSARY	GLOSSAIRE	GLOSSAR	BIBLIOGRAFIE	GLOSSARIO	GLOSSARIO	GLOSARIO	ORDLISTA	ORDBOG
ENGLISH	FRANCAIS	DEUTSCHE	DUTCH	ITALIANO	ESPANOL	SVENSKA	DANSK	
ACTIVATE	ACTIVER	AKTIVIEREN	ACTIVEREN	ATTIVAZIONE	ACTIVAR	AKTIVERING	AKTIVERE	
ATTENTION	ATTENTION	ACHTUNG	ATTENTIE	ATTENZIONE	ATENCIÓN	OBSERVERA	ATTENTION	
AUTHORISED PERSON	PERSONNE AUTORISEE	AUTORSIERTE PERSON	BEVOEGDE PERSON	PERSONALE AUTORIZZATO	PERSONA AUTORIZADA	BEHORIG PERSON	PERSON MED AUTORITET	
BEAM	FAISCEAUX	GITTER	LICHTSTRAAL	RAGGI	HAZ	STRALAR	STRALE	
CONTROL	CONTROLE	STEUERUNG	BESTURING	CONTROLLO	CONTROLAR	KONTROLL	KONTROL	
CROSS-BEAM	RAYONS DIAGONALE	KREUZ STRAHL	DIAGONALE STRALEN	RAGGI INCROCIATI		KRYSS-STRALAR	KRYDS STRALE	
DANGER	DANGER	GEFAHR	GEVAAR	PERICOLO	PELIGRO	FARA	FARE	
DISPOSAL	DISPOSITION	ENTFERNEN	VERWIJDEREN	SMALTIMENTO	DISPOSICION	UPPLOSNING	RADIGHED	
ENTRY	ENTREE	EINGANG	INGANG	ENTRATA		INPASSAGE	INDGANG	
EXIT	EXIT	AUSGANG	UITGANG	USCITA		UTPASSAGE	UDGANG	
FAULT	DEFAULT	FEHLER	FOUT	GUASTO	INCIDENTE	FEL	FEJL	
INSTALLATION	INSTALLATION	INSTALLATION	INSTALLATIE	INSTALLACIONI	INSTALLAZIONE	INSTALLATION	INSTALLATION	
LIGHT CURTAIN	BARRIERE	LICHTGITTER	LICHTSCHERM	BARRIERA OTTICA	CORTINA DE SEGURIDAD	LJUS BARRIER	LYSTAEPE	
MAINTENANCE	ENTRETIEN	WARTUNG	ONDERHOUD	MANUTENZIONE	MANTENIMIENTO	UNDERHALL	VEDLIGEHOEDE	
MODE	MODE	MODUS	MODUS	MODO	MODO	FUNKTIONSLAGE	MODE	
MODEL	MODELE	TYP	MODEL	MODELLO	MODELO	MODELL	MODEL	
MONTHS	MOIS	MONATE	MAANDEN	MESI	MESES	MANADER	MANED	
MUTE	OPPRESSION	STUMMER	ONDERDRUKKEN	INIBIZIONE	MUDO	FORBIKOPPLING	MUTE	
OPERATION	OPERATION	IN BETRIEB	IN BEDRIJF	FUNZIONAMENTO	OPERACION	DRIFT	OPERATION	
PARALLEL BEAM	RAYONS PARALLELE	PARALLEL STRAHL	PARALLELE	RAGGI PARALLELI		PARALLELA STRALAR	PARALLEL STRALE	
RED	ROUGE	ROT	ROOD	ROSSO	ROJO	ROD	RØD	
REPAIR	REPARATION	REPARATUR	HERSTELLING	RIPARAZIONE	REPARAR	REPARATION	REPERERE	
SUPPLIER	FOURNISSEUR	LIEFERANT	LAVERANCIER	FORNITORE	PROVEEDOR	LEVERANTOR	LEVERANDØR	



Appendix 1 – Important Safety Warning Information

- ❑ Ensure that the Smartsan safety light curtain is installed by a qualified person.
- ❑ Smartsan safety light curtains are supplied as matching serial number pairs and must be used as matching serial number pairs.
- ❑ It is the responsibility of the employer that the safety light curtain is properly installed, operated and maintained as well as the machinery on which the safety product is installed. All the applicable national and international legislation and technical standards for the corresponding machine application must be complied with.
- ❑ The safety light curtain is only one element in the overall machine safety circuit, the whole machine safety control circuit must be a fail-safe design.
- ❑ The stopping elements of the machine should be regularly checked to make sure the machine stop time performance is reliable and within the specified parameters.
- ❑ Do not repair or modify the Smartsan safety light curtain. Smartsan products can only be repaired by the manufacturer. Any work carried out on the product that is not done by the manufacturer will invalidate the warranty terms. All products being returned for repair must be matching serial number pairs.
- ❑ The Smartsan Product installation sheet and installation guide do not provide instruction or operation information for the machine that it is integrated to.
- ❑ The Smartsan Product Installation instructions should be kept with the safety light curtain during its entire working life.

Appendix 2 - Certifications

Company



ISO9001
FM27829

Smartsan Limited has a certified quality assurance system in compliance with ISO 9001-2015. Certificate number FM27829.

Products



Smartsan safety light curtains are developed and manufactured in compliance with the European Machinery Directive 2006/42/EC and International Legislation and Standards. Smartsan products are Third Party approved by the Notified Body Safenet Limited, Notified Body number 1674.

