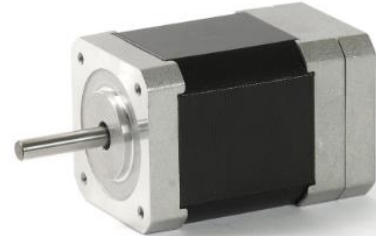


Brushless DC motors Hetai 42BLF

General Specifications

Winding Type	Star
Hall Effect angle	120° electrical angle
Insulation Class	B
Ambient Temperature Range	-20°C~+50°C
Insulation Resistance	100MΩ Min.500V DC
Dielectric Strength	500V AC 1 minute



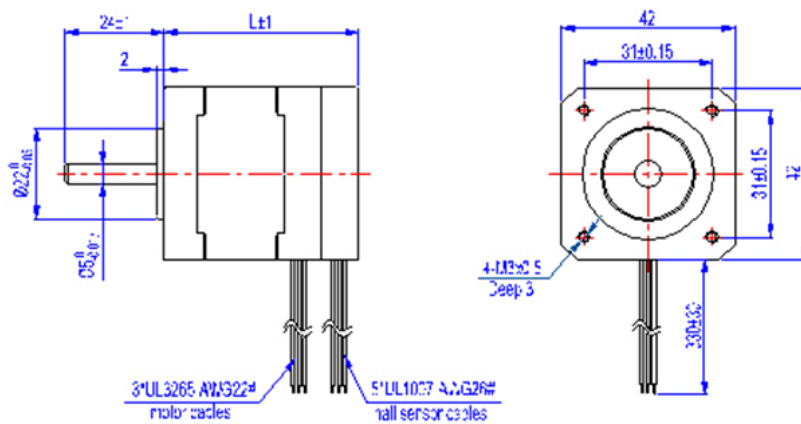
Technical Specifications

Model	42BLF01	42BLF02	42BLF03
Number of Poles	8		
Number of Phase	3		
Rated Voltage VDC	24	24	24
Rated speed RPM	4000	4000	4000
Rated Torque N-m	0.063	0.125	0.188
Rated Current Amps	1.9	3.4	5.7
Output Power Watts	26	52	78
Peak Torque N-m	0.18	0.38	0.75
Peak Current Amps	5.7	10.2	18

Brushless DC motors Hetai 42BLF

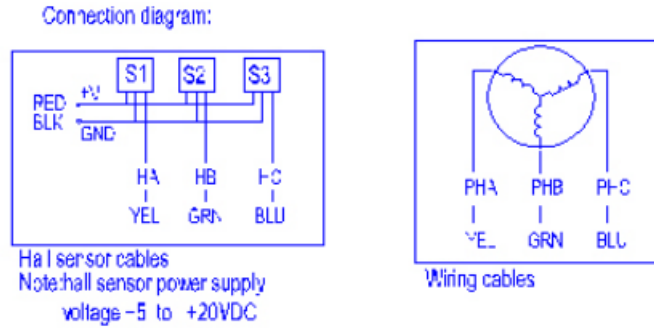
Model	42BLF01	42BLF02	42BLF03
Torque constant N-m/Amps	0.035	0.036	0.036
Back EMF V/kRPM	3.7	3.8	3.8
Rotor inertia g*cm ²	24	48	72
Motor Height (L) mm	47	63	79
Motor Weight (kg)	0.33	0.48	0.63

Mechanical Dimensions



Brushless DC motors Hetai 42BLF

Wiring Diagram



Softing Italia
Via M. Kolbe 6,
20090 Cesano Boscone (MI) - Italy
Tel: +39 02 4505171
Email: info.it@softing.com
Web: www.softingitalia.it/motors