

Brushless motors 57BLF Series

General Specifications

Winding Type	Star
Hall Effect angle	120° electrical angle
Insulation Class:	B
Ambient Temperature Range	-20°C~+50°C
Insulation Resistance	100MΩ Min.500V DC
Dielectric Strength	700VAC 1minute



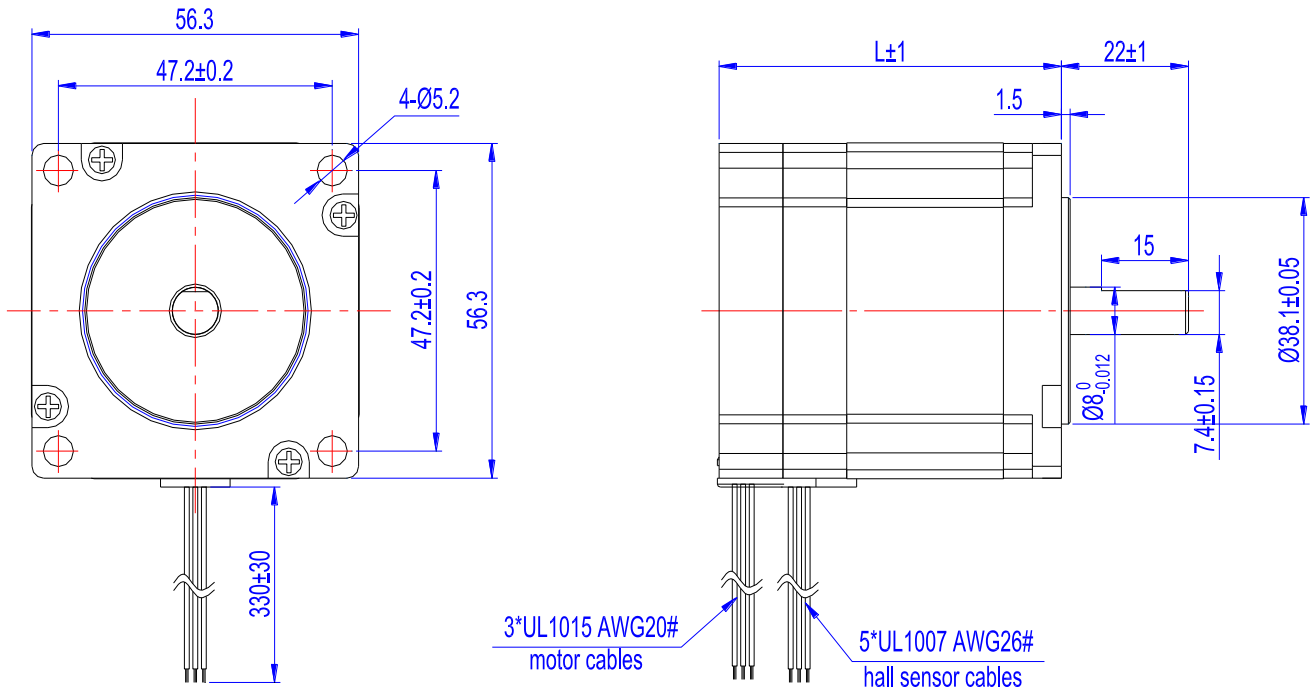
Electrical Specifications

Model	57BLF01	57BLF02	57BLF03	57BLF04
Number of poles	8			
Number of phase	3			
Rated Voltage (VDC)	24	24	24	36
Rated Speed (RPM)	3000	3000	3000	3000
Rated Torque (N-m)	0.2	0.4	0.6	0.8
Rated Current (Amps)	4	7.8	12	15
Output Power (Watts)	63	125	188	250
Peak (Stall) Torque (N-m)	0.6	1.2	1.8	2.4
Peak Current (Amps)	12	23.5	36	45
Torque constant (N-m/Amps)	0.065	0.066	0.066	0.066
Back EMF (V/kRPM)	6.23	6.3	6.3	6.3
Rotor inertia (g · cm ²)	120	170	220	270
Body Length (L) (mm)	48	69	90	111
Weight (kg)	0.65	1.0	1.4	2.0

Caution 1: Peak (Stall) Torque is provided for the purpose of performance calculations only. Operate near, or at, a stalled condition will result in motor damaged. Note: We can also manufacture products according to customer's requirements.

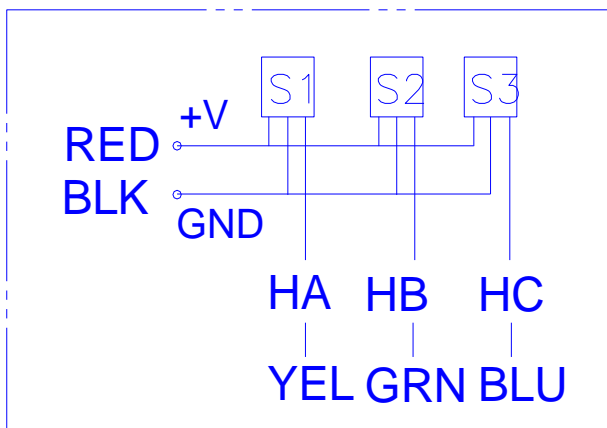
Brushless motors 57BLF Series

Mechanical Dimensions



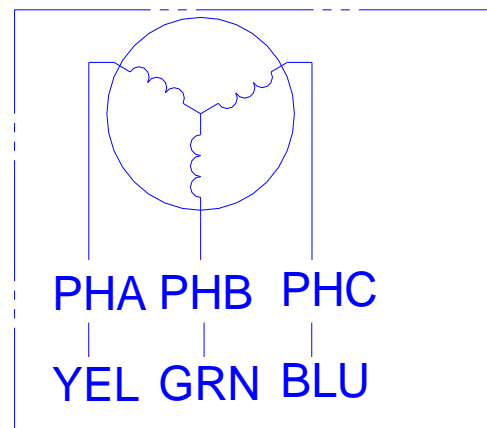
Winding Diagram

Connection diagram:



Hall sensor cable

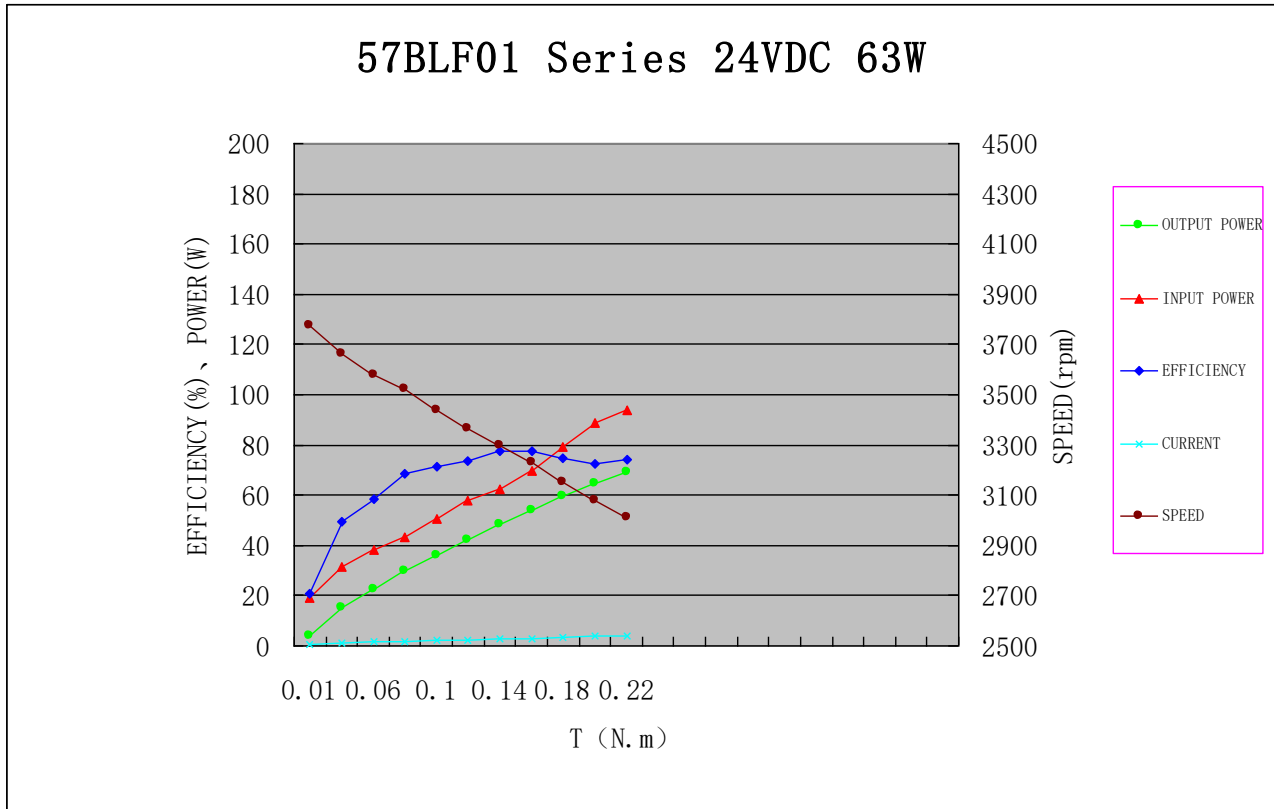
Note: hall sensor power supply
voltage +5 to +20VDC



Wiring cable

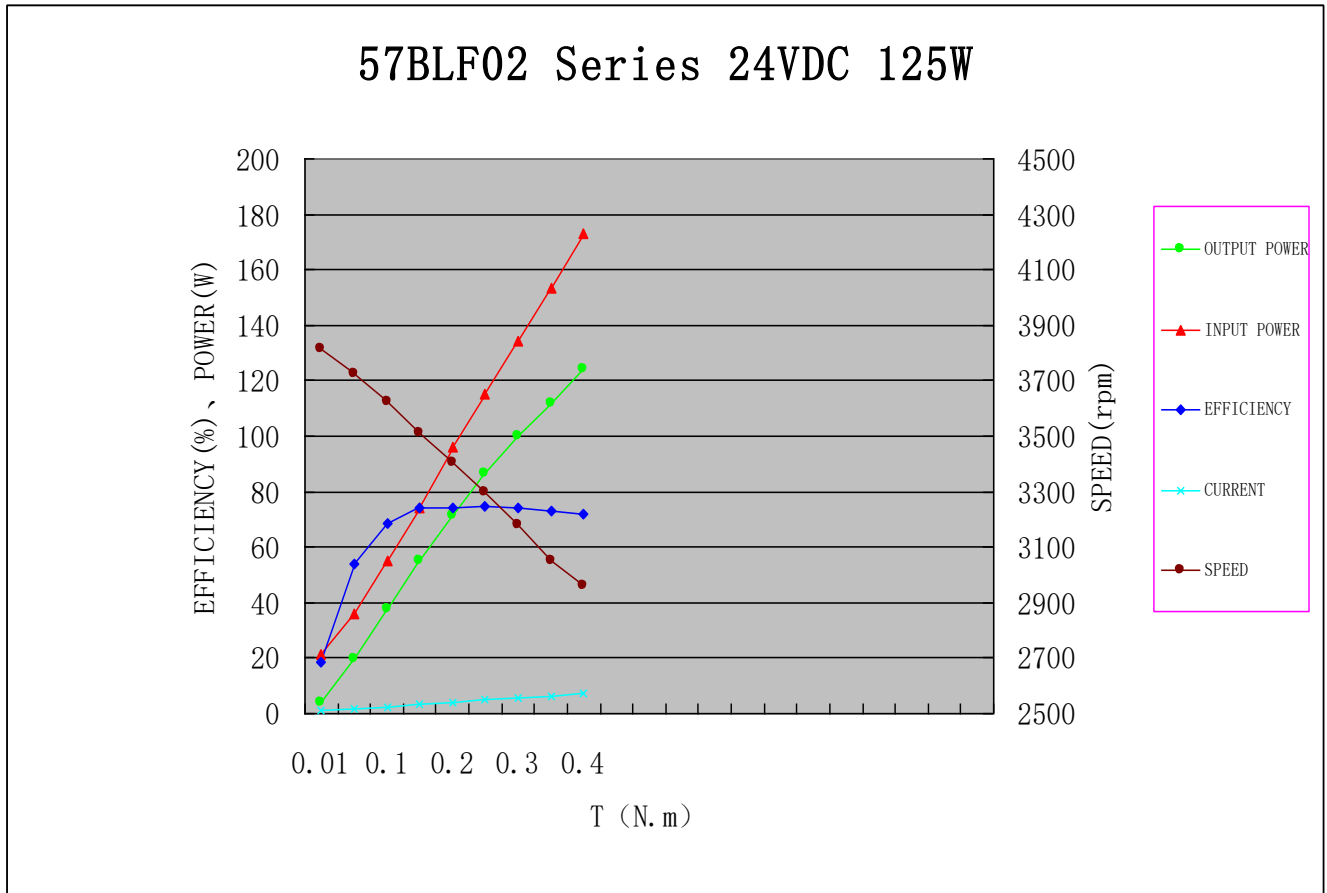
Brushless motors 57BLF Series

Mechanical Performance Curves



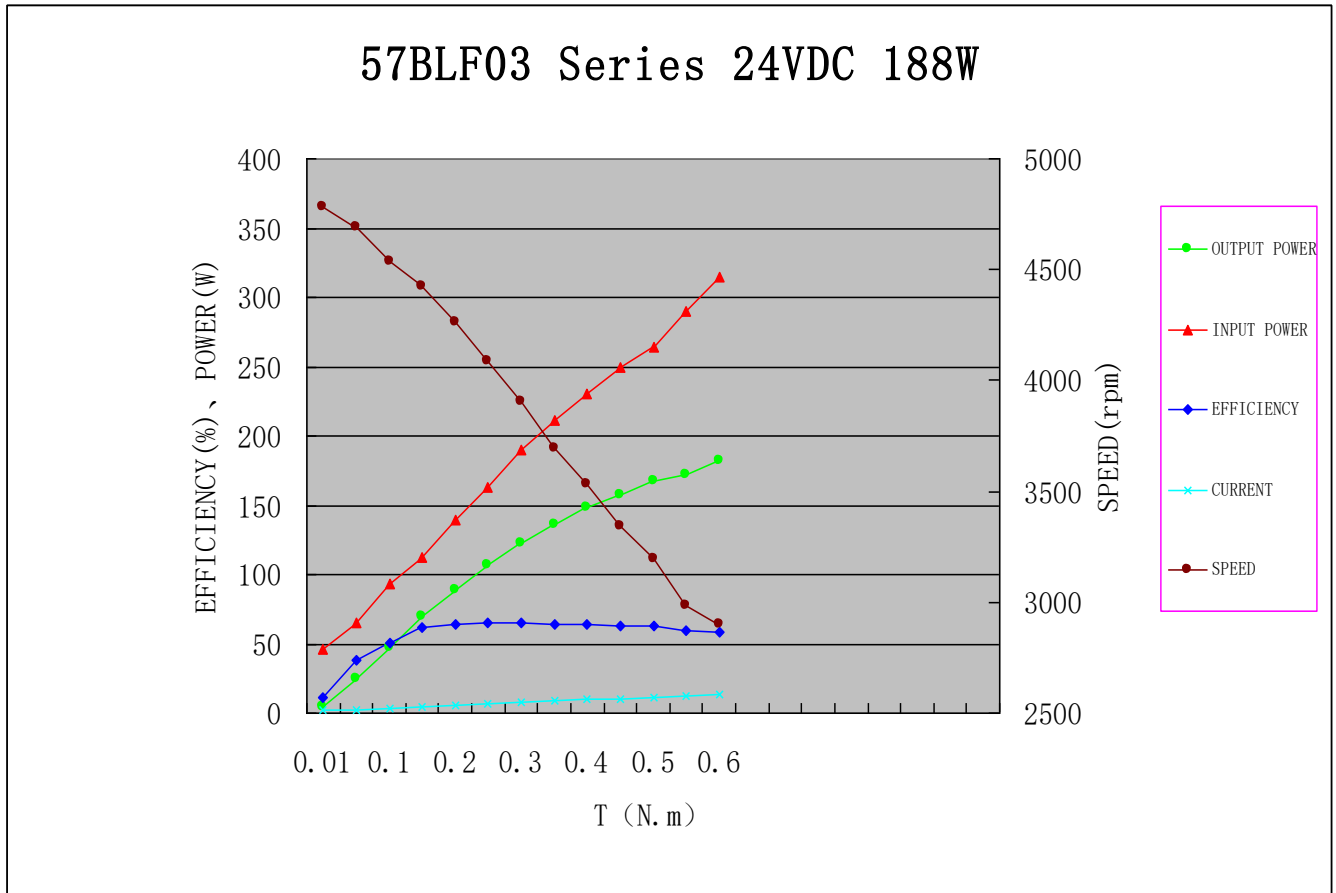
Brushless motors 57BLF Series

Mechanical Performance Curves



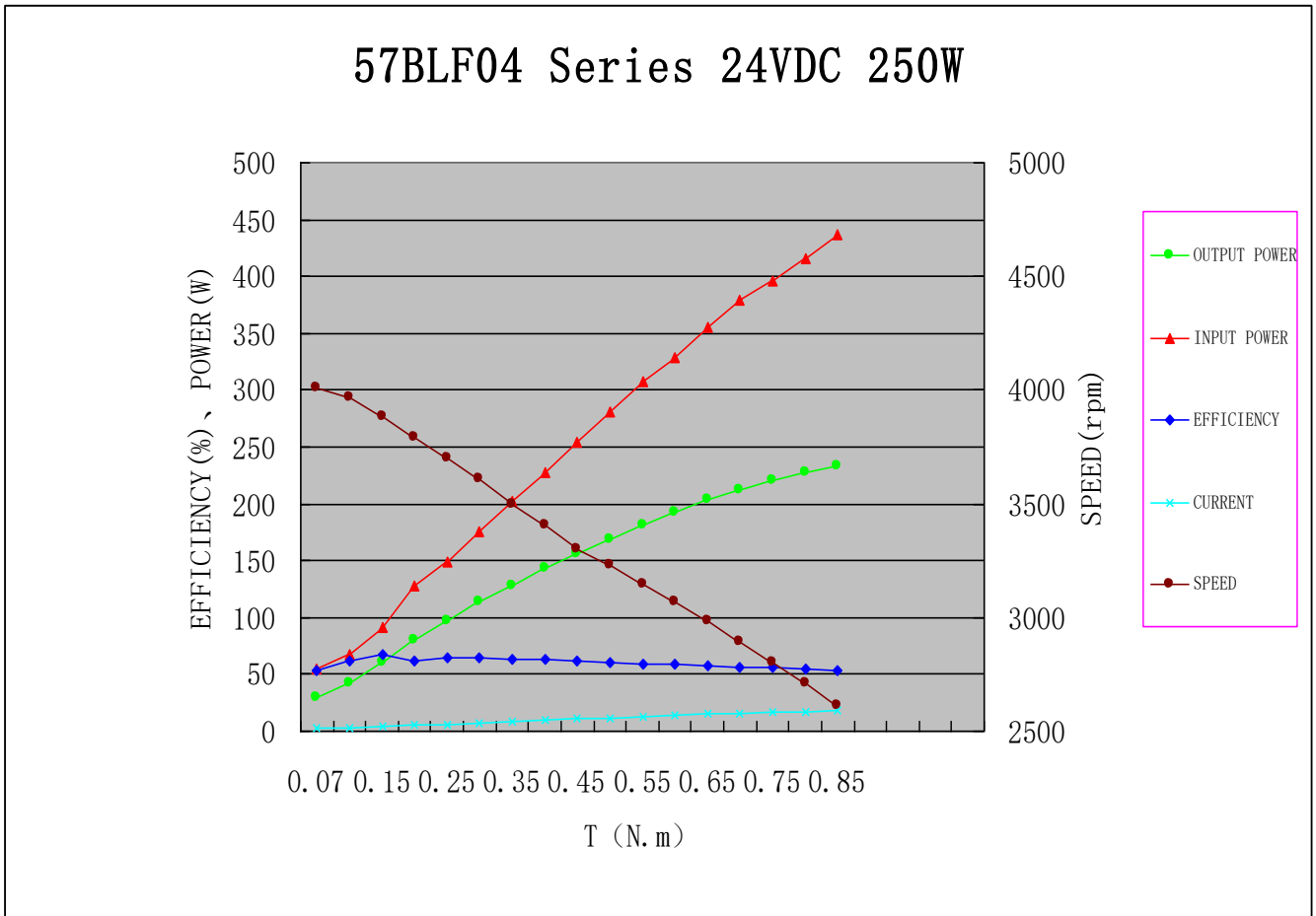
Brushless motors 57BLF Series

Mechanical Performance Curves



Brushless motors 57BLF Series

Mechanical Performance Curves



Brushless motors 57BLF Series

Softing Italia

Via M. Kolbe 6,
20090 Cesano Boscone (MI) - Italy

Tel: +39 02 4505171

Email: info@softingitalia.it

Web: www.softingitalia.it/motors