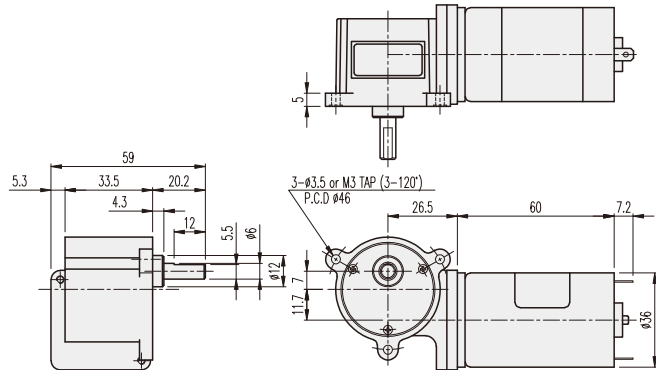
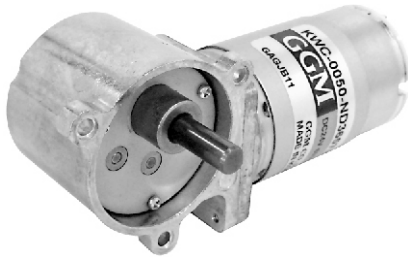


KWC-TYPE

Worm GEARHEAD

DIMENSIONS

KWC-3657 SERIES



MOTOR PERFORMANCE DATA

MODEL	ITEM	VOLTAGE (DC)	NO LOAD		AT MAX. EFF.			STALL		WEIGHT (g)
			mA	rpm	gf-cm	A	rpm	A	kgf-cm	
KD3657U1		12V	300	6000	200	1.5	5000	10	1.6	200
KD3657U2		24V	150	6000	200	0.9	5000	5	1.6	

AT MAXIMUM EFFICIENCY (KWC-□□□□-KD3657U□)

GEAR	MODEL	KD3657U1		KD3657U2	
		DC 12V		DC 24V	
		rpm	kgf-cm	rpm	kgf-cm
1/0025		220	1.1	220	1.1
1/0030		183	1.3	183	1.3
1/0050		110	2.2	110	2.2
1/0060		91	2.3	91	2.3
1/0075		73	2.9	73	2.9
1/0100		55	3.9	55	3.9
1/0125		44	4.9	44	4.9
1/0150		36	5.8	36	5.8
1/0200		27.5	6	27.5	6
1/0250		22	6	22	6
1/0300		18.3	6	18.3	6
1/0375		14.6	6	14.6	6
1/0500		11	6	11	6
1/0600		9.1	6	9.1	6
1/0750		7.3	6	7.3	6
1/0900		6.1	6	6.1	6
1/1050		5.2	6	5.2	6
1/1350		4	6	4	6
1/1500		3.6	6	3.6	6

* color gear ratios are CW rotation direction. [when supply (+)power to (+)terminal of motor]